

SAF Filters

The automatic self - cleaning filter - suitable for more applications than ever



flowrates

**up to 400 m³/h
(1760 US gpm)**

filtration degrees

800-10 micron

water for cleaning

**less than 1%
of the total flow**

minimum operating
pressure

2 bar (30 psi)

features:

- Large filter area, reliable operating mechanism and simple construction make the SAF filter the ideal solution for filtration of poor quality water to very fine filtration degrees
- Automatic flushing according to pressure differential and/or according to time
- No interruption of downstream flow during flushing
- Robust and reliable Self-Cleaning mechanism even on marginal operation conditions
- Minimal volume of reject water allows excellent operation in continuous flush mode
- Applications: Water supply systems, Irrigation systems, Cooling Water, Waste Water Treatment, Industrial Pre-Filtration, etc.
- Industries: manufacturing, mining, water and wastewater treatment plant, turf and agriculture, etc.

How the SAF Filters work

General

The Amiad SAF Series are sophisticated, yet easy-to-operate, automatic filters, with a self-cleaning mechanism driven by an electric motor.

The "SAF" filters support flow-rates of up to 400 m³/h (1760 gpm), with various screens designed to cover a range of 800-10 micron filtration degree, and are available in inlet/outlet diameters of 2"-10".

The Filtering Process

Raw water enters the filter inlet (1) through the coarse screen (2) which protects the cleaning mechanism from large debris. The water passes through the fine screen (3), trapping dirt particles which accumulate inside the filter. Clean water flows through the filter outlet (4).

The gradual dirt buildup on the inner screen surface causes a filter cake to develop, with a corresponding increase in the pressure differential across the screen. A pressure differential switch senses the increased pressure differential and when it reaches a pre-set value, the cleaning process begins.

The Self-Cleaning Process

Cleaning of the filter is carried out by the suction scanner (5) which spirals across the screen; the open exhaust valve creates a high velocity suction stream at the nozzles tip which "vacuums" the filter cake from the screen. During the self-cleaning process, which takes between 20 to 40 seconds, filtered water continues to flow downstream.

The Control System

Two types of control boards are available for the SAF filters: PLC or Electro-Mechanical Relay and Timer.

The self-cleaning cycle begins under any one of the following conditions:

1. Receiving a signal from the Pressure Differential Switch (6)
2. Time interval parameter set at the control board
3. Manual Start

The control board also provides:

Optional continuous flush operation mode

Flush cycles counter

Alarm or an alternative reaction at malfunction mode; open a bypass, shut-off a pump, etc.

"SAF" Models

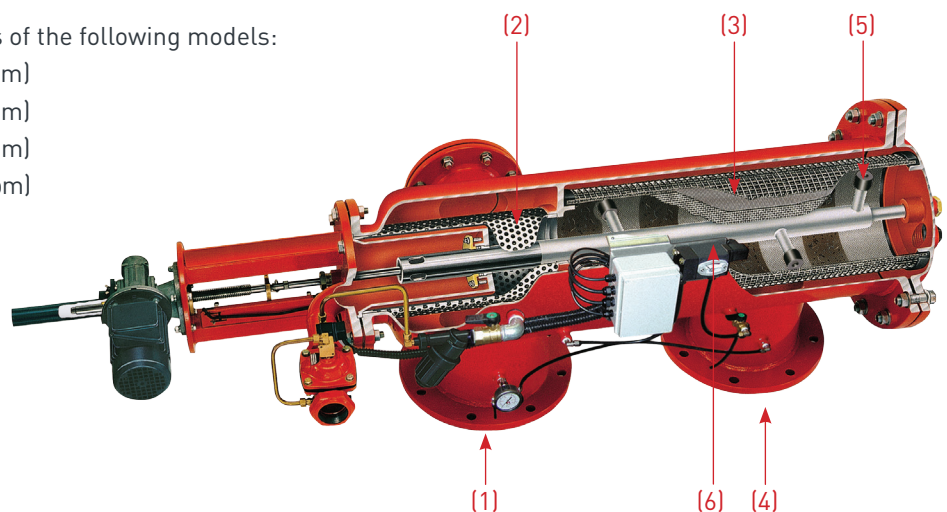
Amiad's "SAF" product-line consists of the following models:

SAF-1500 for up to 80 m³/h (350 gpm)

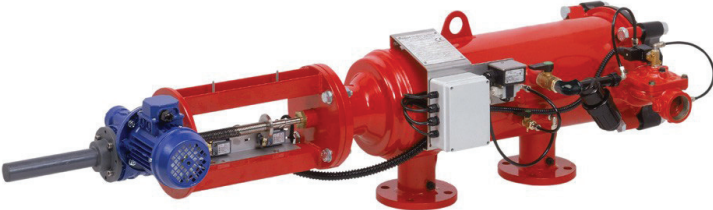
SAF-3000 for up to 150 m³/h (660 gpm)

SAF-4500 for up to 250 m³/h (1100 gpm)

SAF-6000 for up to 400 m³/h (1,760 gpm)



SAF 1500



SAF 3000



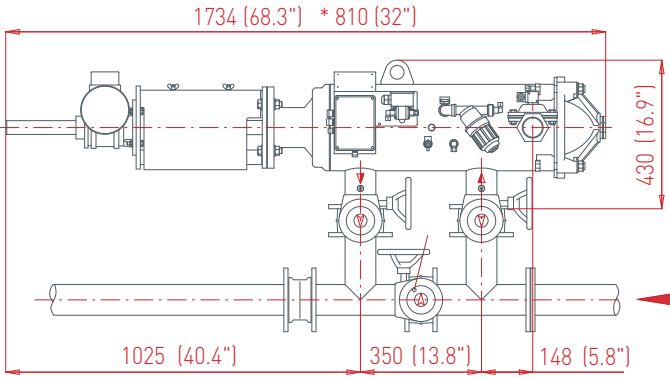
SAF 4500



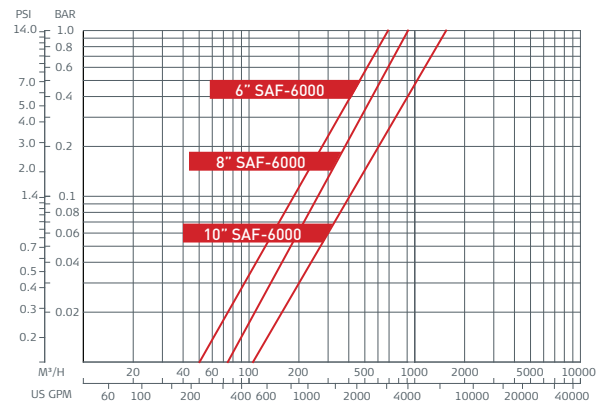
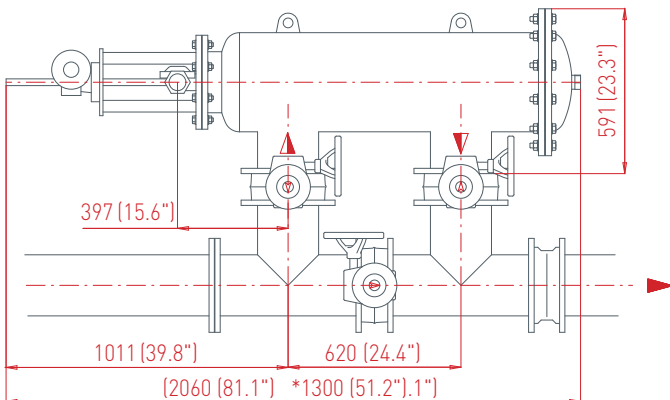
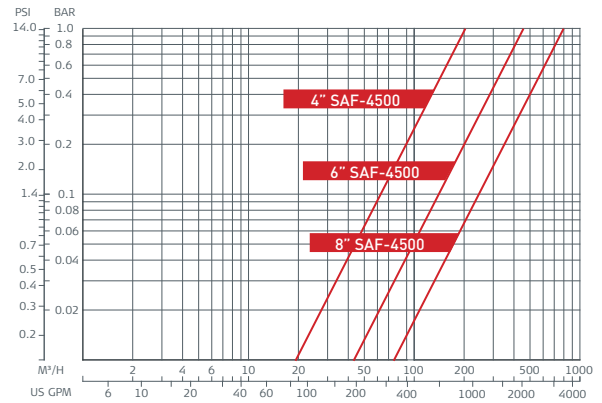
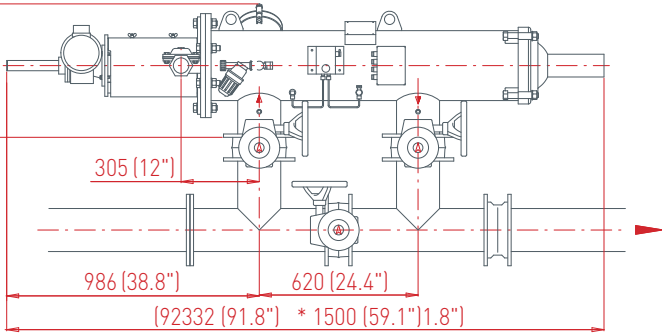
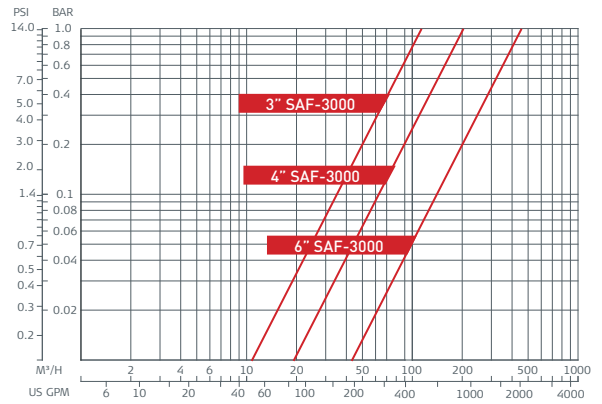
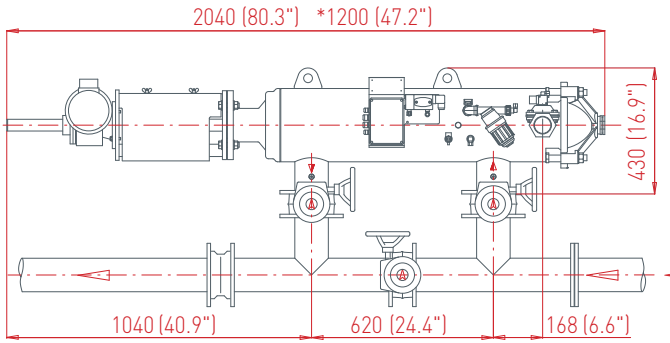
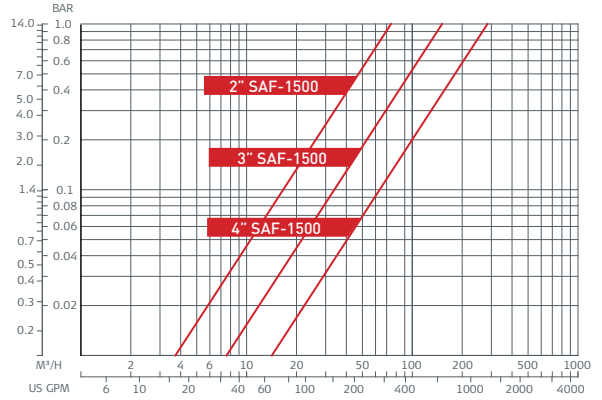
SAF 6000



Typical Installation Drawing



Head Loss Graphs in clean water



Dim: mm (inch)

*Approx. length required for maintenance

Technical Specifications

Filter	SAF 1500	SAF 3000	SAF 4500	SAF 6000
--------	----------	----------	----------	----------

General Data				
Maximum flowrate*	80 m ³ /h (352 US gpm)	150 m ³ /h (660 US gpm)	250 m ³ /h (1100 US gpm)	400 m ³ /h (1760 US gpm)
Inlet/Outlet diameter (mm)	2" 3" 4" (50 80 100)	3" 4" 6" (80 100 150)	4" 6" 8" (100 150 200)	6" 8" 10" (150 200 250)
Standard filtration degrees	Weave Wire Screen 800, 500, 300, 200, 130, 100, 80, 50, 25, 10 micron			
Min. working pressure	2 bar (30 psi) For lower pressure please consult manufacturer			
Max. working pressure	10 bar (150 psi)		10 bar (150 psi) 16 bar (232 psi) upon request	
Max. working temperature	50°C (122°F)	50°C (122°F)	60°C (140°F) 95°C (203°F) upon request	60°C (140°F) 95°C (203°F) upon request
Electrical Supply	3 phase, 220/380/440 VAC 50/60 Hz			
Weight [empty]	86 kg (190 lb)	110 kg (242.5 lb)	160 kg (353 lb)	250 kg (551 lb)

* Consult Amiad for optimum flow depending on filtration degree & water quality.

Flushing Data				
Minimum flow for flushing (at 2 bar -30 psi)	6 m ³ /h (26 US gpm)	11 m ³ /h (48 US gpm)	15 m ³ /h (66 US gpm)	25 m ³ /h (110 US gpm)
Reject water volume per flush cycle (at 2 bar -30 psi)	25 liter (7 US gallon)	64 liter (17 US gallon)	83 liter (22 US gallon)	280 liter (74 US gallon)
Flushing cycle time	15 seconds	20 seconds	20 seconds	40 seconds
Exhaust valve	2" (50 mm)	2" (50 mm)	2" (50 mm)	2" (50 mm)
Flushing criteria	Differential pressure of 0.5 bar (7psi), time intervals and manual operation			

Screen Data				
Filter area	1500 cm ² (323 in ²)	3000 cm ² (465 in ²)	4500 cm ² (697 in ²)	6000 cm ² (930 in ²)
Screen types	Four-layer Weave Wire stainless steel 316L			
	Molded Weave Wire stainless steel 316L			

Control and Electricity				
Rated operation voltage	3phase, 220/380/440 VAC 50/60 Hz			
Electric motor	¼ HP	¼ HP	¼ HP	1/3 HP
Current consumption	0.6 Amp	0.6 Amp	0.6 Amp	0.8 Amp
Control voltage	24 VAC 12V or 24 VDC upon request			

*Construction Materials				
Filter housing	Epoxy-coated carbon steel 37-2			
Filter lid	SMC Polyester/Epoxy-coated carbon steel 37-2			
Cleaning mechanism	Stainless steel 316L, Acetal			
Exhaust valve	Epoxy-coated cast iron, Natural rubber			
Seals	Synthetic rubber, Teflon			
Control	Aluminum, Brass, Stainless steel, PVC, Nylon			

* Amiad offers a variety of construction materials. Consult us for specifications.

Headquarters

Amiad Water Systems Ltd. D.N. Gatil Elyon 1, 1233500, Israel,
Tel: 972 4 690 9500, Fax: 972 4 814 1159,
E-mail: info@amiad.com

America



Amiad USA Inc. Main Office and Manufacturing: 120-J Talbert Road, Mooresville, NC 28117,
Tel: 1 704 662 3133, Fax: 1 704 662 3155, Toll Free: 1 800 24 FILTER,
E-mail: info@amiadusa.com www.amiadusa.com

West Coast Sales Office and Warehouse:
2220 Celsius Avenue, Oxnard, California 93030
Tel: 805 988 3323, Fax: 805 988 3313, Toll Free: 1 800 969 4055

Chile

Amiad Andina, Carretera General San Martín 16.500 No 30,
Loteo Industrial Los Libertadores, Colina, Santiago de Chile,
Tel: 56 2 24895100, Fax: 56 2 24895101, E-mail: amiadandina@amiad.com

Brazil

Amiad Sistemas de Água Ltda., Av. Funchal, 411, Conj. 42, Vila Olimpia, São Paulo, CEP 04551-060
Tel: +55 11 31923824, E-mail: infobrasil@amiad.com

Amiad Oil & Gas, E-mail: amisur@adinet.com.uy

Mexico

Amiad Mexico SA DE CV,
Tel/Fax: +52 55 636 28122,
E-mail: info@amiadmexico.com

Asia



India

Amiad Filtration India Pvt Limited, 305 Sai Commercial Building,
Govandi St Rd, Govandi Mumbai 400 088,
Tel: 91 22-67997813/14, Fax: 91 22-67997814, Email: info@amiadindia.com

China

Amiad China (Yixing Taixing Environtec Co., Ltd.) 70 Baihe Chang, Xingjie Yixing Jiangsu, 214204,
Tel: 86 510 87134000, Fax: 86 510 87134999, E-mail: marketing@taixing.cc

South-East Asia

Filtration & Control Systems Pte. Ltd., 19B Teo Hong Road, 088330 Singapore,
Tel: 65 6 337 6698, Fax: 65 6 337 8180, E-mail: amiad@amiad.com.sg

Australia



Amiad Australia Pty Ltd. 138 Northcorp Boulevard, Broadmeadows, Victoria 3047,
Tel: 61 3 93585800, Fax: 61 3 93585888, E-mail: sales@amiad.com.au

Europe



Amiad Water Systems Europe SAS, Ilot No4 ZI La Boitardière, 37530 Chargé, France,
Tel: 33 (0) 2 47 23 01 10, Fax: 33 (0) 2 47 23 80 67, E-mail: info@amiad-europe.com

Germany

Amiad Water Systems SAS Europe (German branch office)
Zweigniederlassung Deutschland Prinz-Regent-Str. 68 a 44795 Bochum,
Tel: 49 (0) 234 588082-0, Fax: 49 (0) 234 588082-12, E-mail: info@amiad.de

Turkey

FTS – Filtration & Treatment Systems, Istanbul yolu 26 Km, Yurt Orta Sanayii, Saray, Ankara,
Tel: 90 312 8155266/7, Fax: 90 312 8155248, E-mail: info@fts-filtration.com