

PUMP SPECIFICATIONS

MODEL:	DS25
PORT SIZE:	1" (25NB) BSPF
MAX FLOW:	23 L/M
MAX SUCTION LIFT:	6 M
MAX DISCH. HEAD:	6 M
MAX SOLID SIZE:	15mm SPHERE

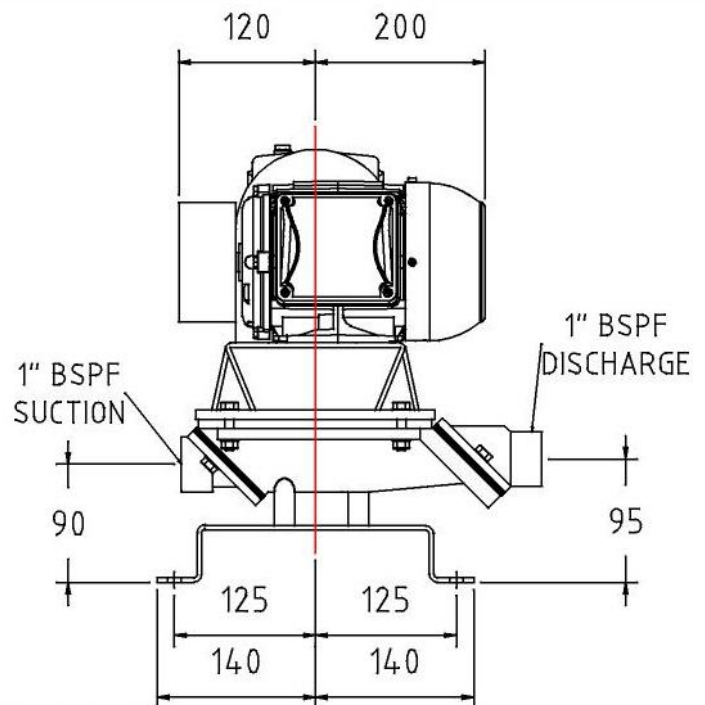
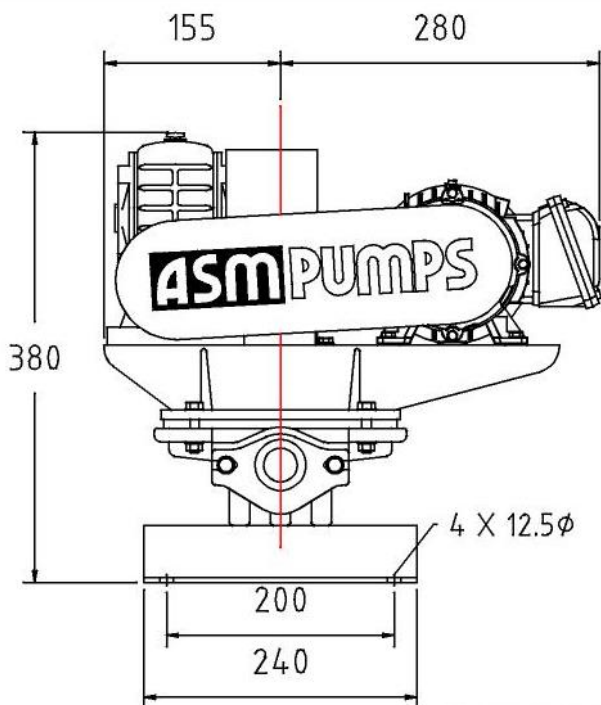
MOTOR SPECIFICATIONS

KW:	.25
RPM:	1480
VOLTAGE:	240
FULL LOAD CURRENT:	1.95 A
IP RATING:	IP55



MATERIALS OF CONSTRUCTION

DIAPHRAGM:	NITRILE	OPTIONS:	EPDM, VITON & TEFLON INTERFACE
VALVES:	NITRILE	OPTIONS:	EPDM, VITON & POLYURETHANE
CASTINGS:	SG IRON	OPTIONS:	BRONZE, STAINLESS STEELS



DIMENSIONS SUBJECT TO CHANGE WITHOUT NOTICE